

USG BORAL DRYWALL GRID WALL TO WALL



USG Wall-to-Wall Drywall Suspension System

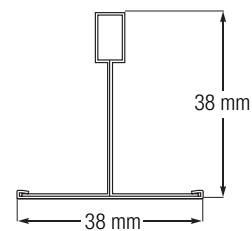
FEATURES AND BENEFITS

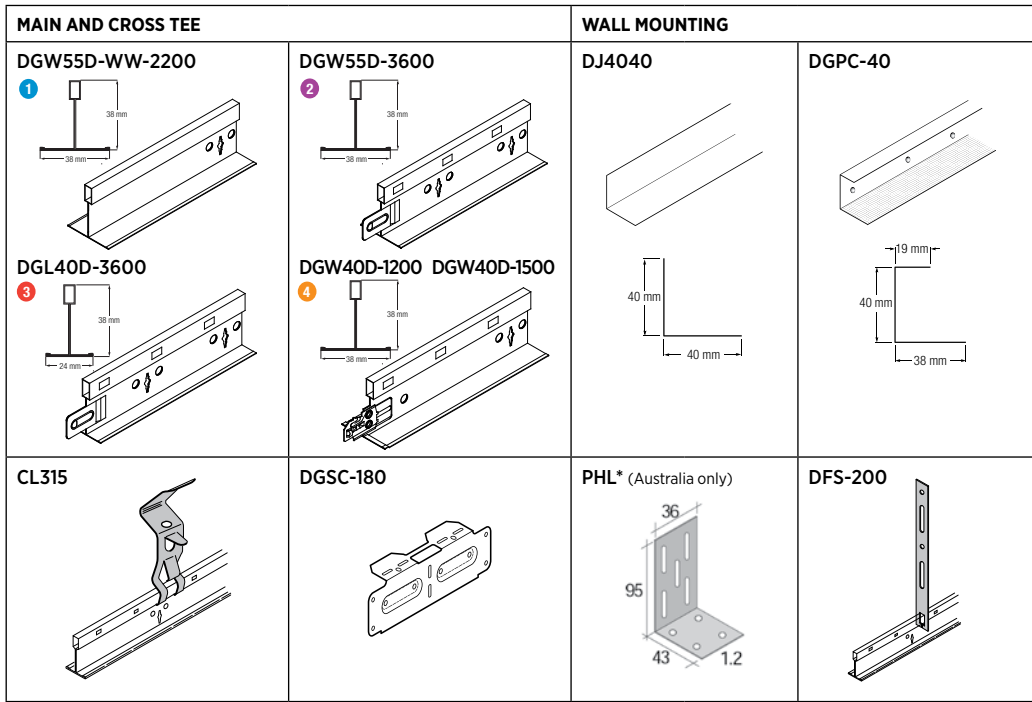
- Simplifies design and construction for corridors and small rooms.
- Industry leading spans eliminate hanger wires and cross tees for unsupported spans up to 2200mm, with Sheetrock® Brand 13mm standard or 10mm ceiling board.
- Pre-engineered components allow easy transition between ceiling types and elevations.
- Hot dipped galvanized system suitable for interior and exterior applications.
- Standard and custom lengths available.
- Manufactured in accordance with AS/NZS 2785, AS/NZS 4600, AS/NZS 1170, AS/ NZS 2589

APPLICATIONS

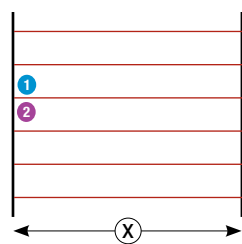
- Condominiums & Apartments
- Healthcare
- Education
- Hotels
- Dormitories
- Office
- Flush Plaster Applications

Profile





WALL to WALL



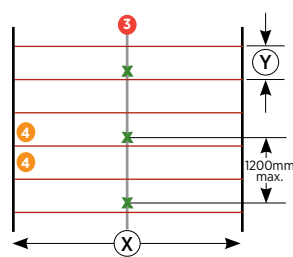
| | L/450 (Level 4) | | | | L/600 (Level 5) | | | Grid Weight kg/m ² | |
|-------------------------|-----------------|------|------|------|-----------------|------|------|-------------------------------|-----|
| (X) Corridor Width (mm) | 1500 | 1800 | 2000 | 2200 | 1500 | 1800 | 2000 | | |
| (Y) Tee Spacing (mm) | 400 | 39.0 | 22.6 | 16.4 | 12.3 | 29.3 | 16.9 | 12.3 | 1.6 |
| | 600 | 26.0 | 15.0 | 10.9 | - | 19.5 | 11.3 | - | 1.1 |

Allowable Maximum Loads (kg/m²). To establish ceiling Deadload refer table below.

KEY
Maximum plasterboard types

- 13mm SHEETROCK or 10mm SHEETROCK Ceiling Board
- 13mm Plasterboard

WITH CENTRAL MAIN TEE



| | L/450 (Level 4) | | | | L/600 (Level 5) | | | Grid Weight kg/m ² |
|------------------------------|-----------------|---|------|------|-----------------|------|-------|-------------------------------|
| (X) Room Width (mm) | - | - | 2400 | 3000 | 2200 | 2400 | 3000 | |
| (Y) Span to Central Tee (mm) | | | 1200 | 1500 | 1100 | 1200 | 1500 | |
| Tee Spacing (mm) | 600 | | 17.8 | 14.2 | 15.0 | 13.8 | 15.1* | 1.1 |

- Notes:
 *Requires DGL or DGW55D Main Tee
 1) Ensure Cross Tees are equally spaced
 2) Hangers **X** must be within 200mm of Main Tee/Cross Tee joint
 3) Table maximum allowable weights are based on hangers **X** 1200mm max. with the Main Tee continuous over at least 2 spans (2400mm)
 4) Hangers **X** must have a minimum safe working load capacity of 50kg

CEILING LOADS CALCULATION STANDARD*

*Wind or other specific design loads are not taken into consideration.

DEAD LOAD G

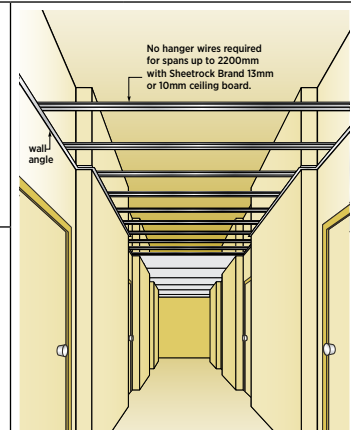
Grid Weight: (as above)
 Board Weight: (refer lining manufacturer)
 Lights/fixtures: (refer lighting/insulation data)
 TOTAL G kg/m²
 G x 1.4 = kg/m² (A)

Calculation per AS/NZS 2785:2000 Clause 3.3.5(a)

SERVICE LOAD U

(if applicable) to AS/NZS 2785:2000 Clause 3.2.2 (b)
 U⁺ x 1.7 =
 3.0⁺ x 1.7 = 5.1 (B)
 (A) + (B) TOTAL kg/m²

+ Distributed Service Load if known (e.g. insulation mass, cable mass, mechanical mass, etc)
 * If service load is not known, 3.0kg is the minimum amount (if applicable as per AS/NZS 2785:2000)



Key
 G - nominal weight of ceiling mass
 1.4 - safety factor
 U - service load
 1.7 - safety factor

Australia: 1800 226 215

New Zealand: 0800 USGBORAL



Manufactured, sold or distributed by USG Boral Building Products or one or more of its affiliates.

The trademarks CE, CLEANROOM, CLIMAPLUS, DONN, DX, DXL, FIRECODE are trademarks of USG Interiors LLC. INNOVATION INSPIRED BY YOU is a trademark of USG Boral Building Products or one or more of its affiliates.

Safety First! Follow good safety/industrial hygiene practices during installation. Wear appropriate personal protective equipment. Read SDS and literature before specification and installation.

